



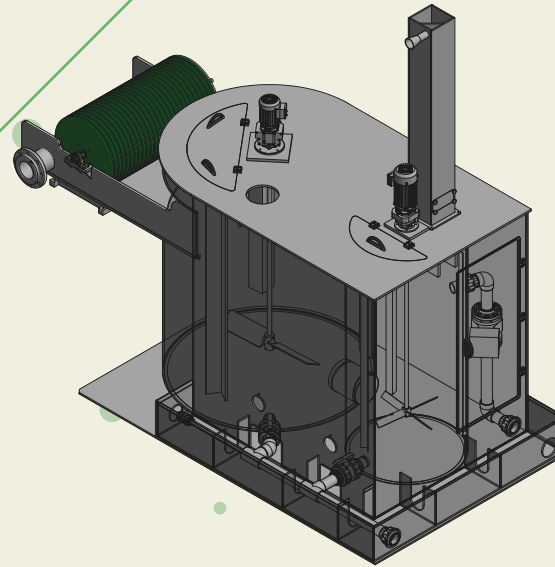
ABOUT MIVANOR

Mivanor is a total supplier of treatment solutions for industrial wastewater. In order to ensure that our delivery will fulfil the customer's wishes and requirements, we supply each individual customer with a solution based on small-scale experiments with the relevant water and a carefully considered design. This provides customers with a good estimate of the treatment results and operation costs prior to a system being ordered. Mivanor is ISO-certified in accordance with quality, health, safety and environment standards.

WE OFFER A TOTAL SOLUTION, INCLUDING

- Design and engineering
- Manufacture of treatment systems
- Installation and training
- Operational support and service

Contact us and we will conduct a small-scale experiment to see how well we can treat your water!



BYRAA byraabodo.no



MIVAMAG

- Treatment capacity of up to 40m³/hour per unit
- Automated system with remote control
- Module-based or built-in
- Easy-to-monitor treatment process
- Compact
- Low operation costs

MIVANOR AS

Mivanor AS is owned by Iris Salten IKS

post@mivanor.no
mivanor.no

Since 2015, Mivanor has been certified to the standards
NS-EN-ISO 9001:2008, NS-EN-ISO14001:2004
and OHSAS 18001:2007



TREATMENT OF INDUSTRIAL WASTEWATER MIVAMAG

MIVANOR'S METHOD MIVAMAG

Mivanor has developed a unique solution for treating industrial wastewater.

Our product Mivamag removes environmental pollutants and heavy metals from polluted industrial wastewater in a simple and easy-to-monitor process through a combination of established treatment technology and an innovative mechanical-magnetic process. What is unique about our treatment technology is a «two-in-one» system called «magnetic particle separation». The pollutants are removed from the water at the same time as the sludge is dewatered without the use of a filter or an extra dewatering unit. This results in a small system with good capacity and cost-effective treatment.

MIVAMAG

- Treatment capacity of up to 40m³/hour per unit
- Automated system with remote control
- Module-based or built-in
- Easy-to-monitor treatment process
- Compact
- Low operation costs

TYPICAL TREATMENT RESULTS

- 50-70% reduction of organic pollutants
- 25-95% reduction of heavy metals
- 80-90% reduction of phosphorus
- 70-90% reduction of suspended substances

INDUSTRIAL WATER TREATMENT

Our treatment method is flexible and can be used in a wide range of industries.

- Waste management sites
- Fish hatcheries
- Net cleaning facilities
- Textile industry
- Paper production
- Mining and metals

HOW THE MIVAMAG TREATMENT SYSTEM WORKS

